



MICROWAVE LEVEL SWITCH (AC)

CE & UKCA NON-COMPLIANT

OPERATION MANUAL

(INCLUDES HT VERSION)



Hycontrol Limited, Larchwood House, Orchard Street,
Redditch, Worcestershire, B98 7DP, UK
Tel: + 00 44 (0)1527 406800 Fax: + 00 44 (0)1527 406810
Email: sales@hycontrol.com Website: www.hycontrol.com

TABLE OF CONTENTS

OPERATION PRINCIPLE.....	3
FEATURES.....	4
SPECIFICATIONS.....	5
APPLICATIONS.....	6
HARDWARE OPTIONS.....	10
DIMENSIONS & PART NUMBERS.....	12
INSTALLATION & MOUNTING.....	14
WIRING.....	17
FUNCTION OF SWITCHES, INDICATORS AND RHEOSTATS.....	19
SENSITIVITY ADJUSTMENT.....	20
HIGH TEMPERATURE OPTION.....	21

OPERATION PRINCIPLE

The HYCMWS-ST/SR type microwave sensor is a level switch consisting of a transmitter (HYCMWS-ST) and a receiver (HYCMWS-SR) installed face-to-face.

The transmitter emits a continuous, low power microwave beam towards the receiver and an output relay is released when the beam is obstructed.

The sensor has wide application across all areas of industry where highly reliable, non-contact level detection is required. The sensor is generally used for process control by monitoring presence/absence of product, flow/no flow conditions and point level detection in bins and silos. The sensor may also be used as a proximity switch for detection of vehicles such as dump trucks and rail cars.

Penetrability of Microwaves

Harsh environments may result in a buildup of contaminants on the sensing head; however, the sensor is easily able to penetrate such buildup thanks to the high penetrability of microwaves.

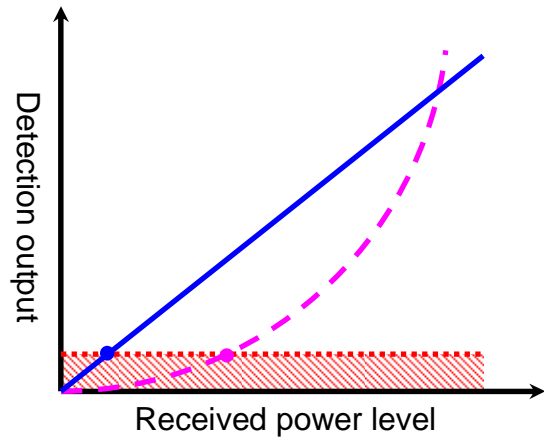
When microwaves transmitted through air encounter an object, some will be reflected, some absorbed and the rest will pass through the object. The amount of microwaves passing through the object depends on its composition.

Generally speaking, microwaves cannot penetrate metals and are reflected and water absorbs the most microwaves.

Microwaves can easily pass through plastics, glass, ceramic, paper etc.

Heterodyne vs. Diode Detection

The HYCMWS-ST/SR level switch is the first of its kind to utilize the heterodyne detection method rather than the, now obsolete, diode detection method.



- Heterodyne method
- - - Diode method (commonly)
- Noise
- Minimum received -70dB
- Minimum received -50dB

The heterodyne detection method gives detection output that is proportional to the received power level, whereas the diode detection method gives detection output that is proportional to the square of the received power level.

Therefore the heterodyne method allows detection with a minimum received power that is lower than that of the minimum level required by the diode detection method. This increases the operating range/penetrability without any increase in the power of the transmitted microwave radiation.

FEATURES

40m Range with heterodyne detection

Approx. 40m range with a Ø27mm antenna, thanks to the Heterodyne detection method.

High penetration

Easily penetrates process buildup on antenna, firebrick, refractory etc., thanks to the increased operating range.

Unaffected by adverse environments

The sensor is unaffected by surface contaminants, flames, steam, vapour or airborne particles.

Simple beam alignment

Easy initial beam alignment at installation, thanks to the wide beam angle.

15 LED indicator array

A 15 LED indicator array displays the received power level **and** the sensitivity-set-point, allowing for **visual sensitivity adjustment** and maintenance.

Selectable detection mode

Either broken beam (BLOCK) or unbroken beam (UNBLOCK) detection method may be selected.

On-delay time

On-delay time, adjustable 0.1~10secs., prevents instantaneous detection of falling material whilst filling.

Lightweight, compact & simple to install

The transmitter/receiver weighs less than 1kg and is housed in a compact aluminum diecast enclosure. Built-in amplifiers mean no interconnection between transmitter and receiver is necessary.



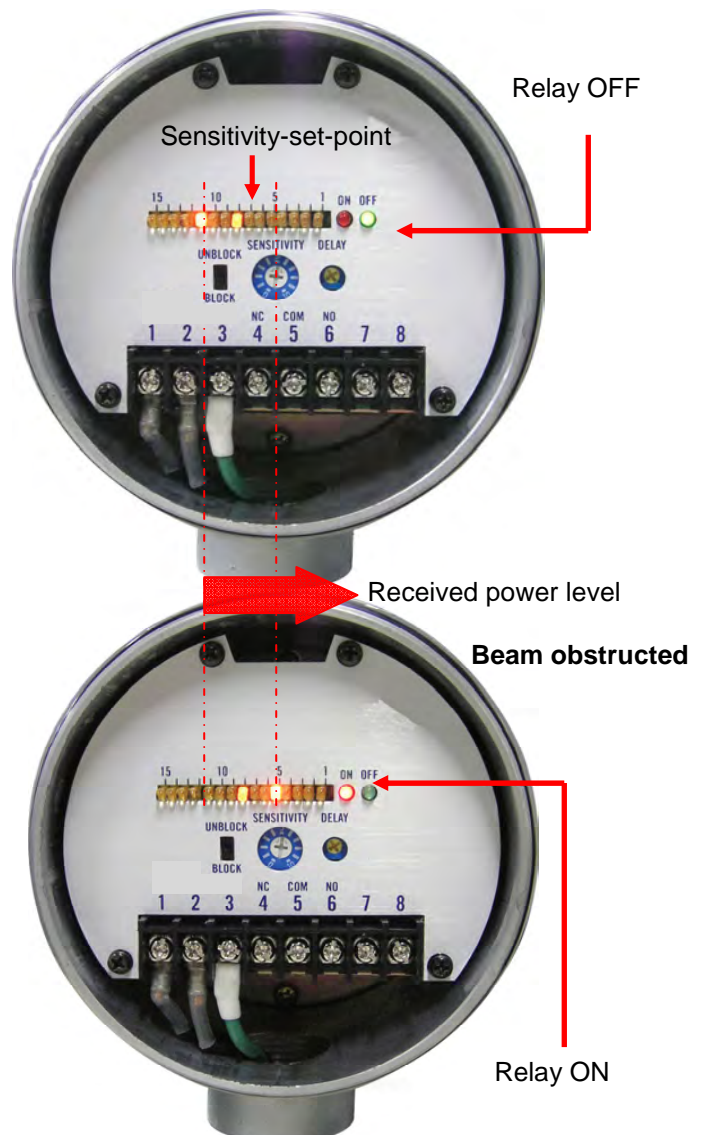
Transmitter



Receiver

RECEIVER CONTROLS

Beam unobstructed



SPECIFICATIONS

Type

Transmitter : HYCMWS-ST-2

Receiver : HYCMWS-SR-2

Power supply

100-120Vac 50/60Hz

200-240Vac 50/60Hz

Power consumption

Transmitter : 2VA

Receiver : 2VA

Operating distance

Up to 40 metres

Note: Operating distance may vary on different applications due to installation limitations.

Frequency & transmission power

Approx. 24GHz, less than 10mW

Received power level

Indicated by 1 of 15 LED indicators

Note: Indicator is fully illuminated

Sensitivity-set-point

Indicated by 1 of 15 LED indicators

Note: Indicator is half illuminated

Radiation angle

Approx. $\pm 20^\circ$ (angle in half of receiving value)

Output contact

1 (SPDT) relay 250VAC, 2A contacts

Condition of output function

Output occurs on change of state, but only after any delay period has past. Output relay is unexcited during output state.

Response time

10msec.

On-delay function

0.1 ~ 10sec. adjustable

Delay time from power on to function

Transmitter : Approx. 50msec.

Receiver : Approx. 5sec

Operating ambient temperature

-10°C ~ +55°C

Note: Optional hardware is available for high temperature applications.

See page 21

Storage ambient temperature

-20°C to +70°C

Continuous maximum pressure

0.5Mpa (75psi)

Enclosure rating

IP65 Protection

Enclosure construction

Diecast aluminium, powder coated

Weight

Transmitter : 1kg

Receiver : 1kg

Certification Standards

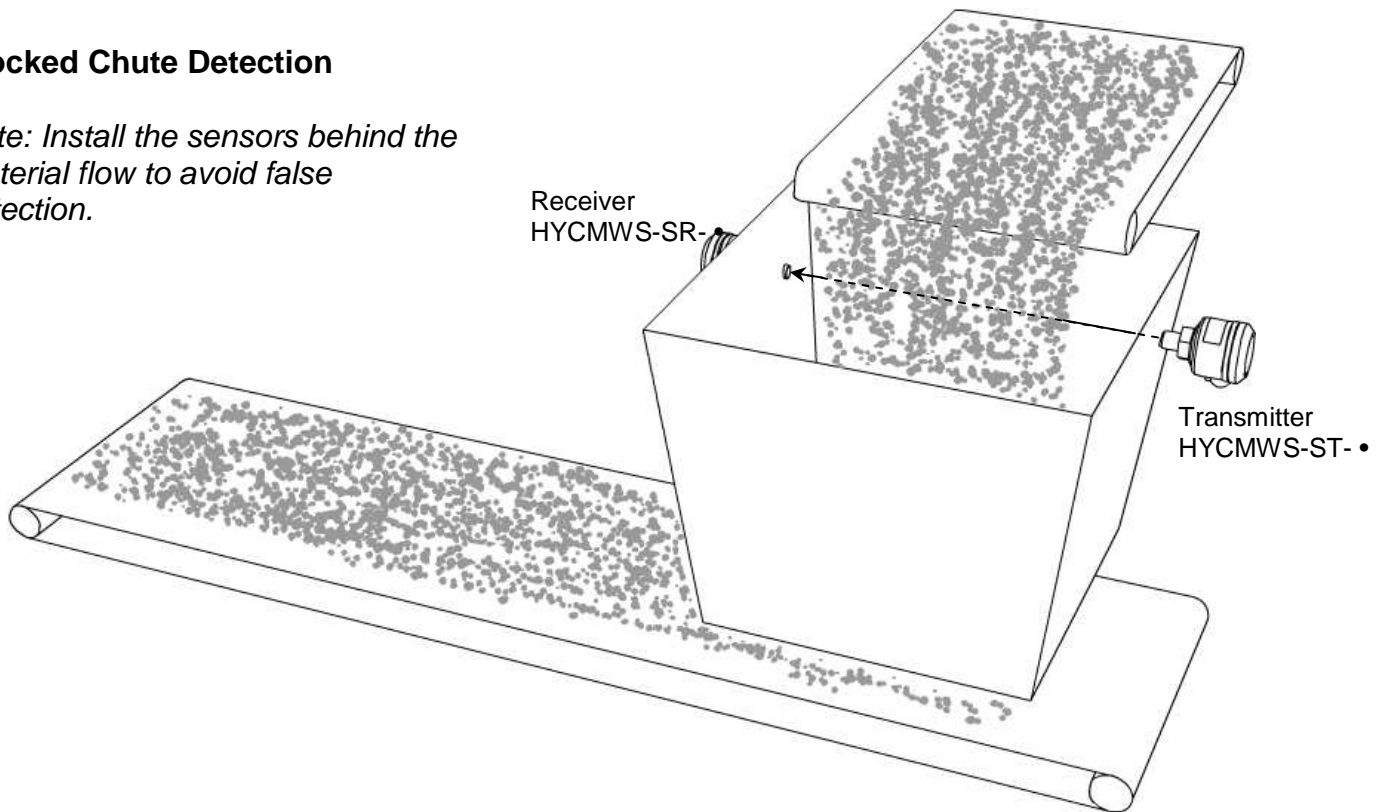
CE & UKCA Non-compliant

APPLICATIONS

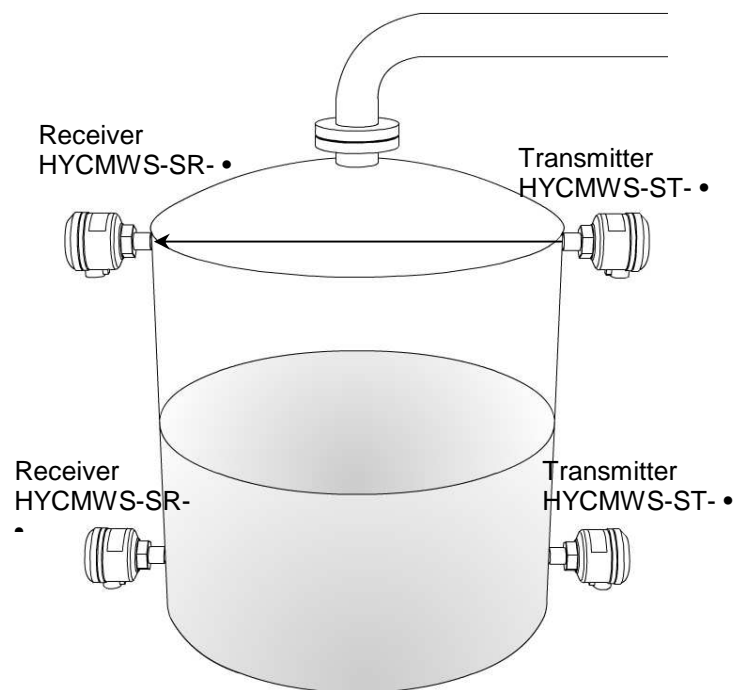
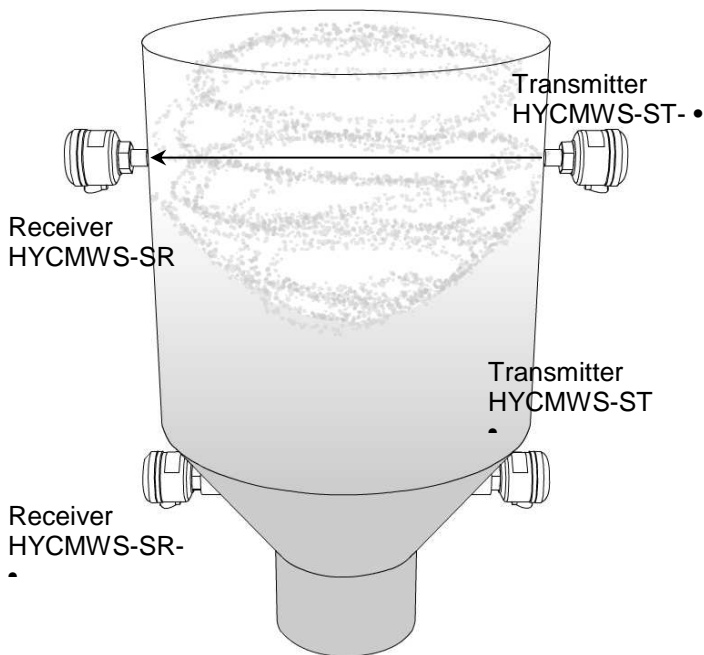
Standard Applications

Blocked Chute Detection

Note: Install the sensors behind the material flow to avoid false detection.

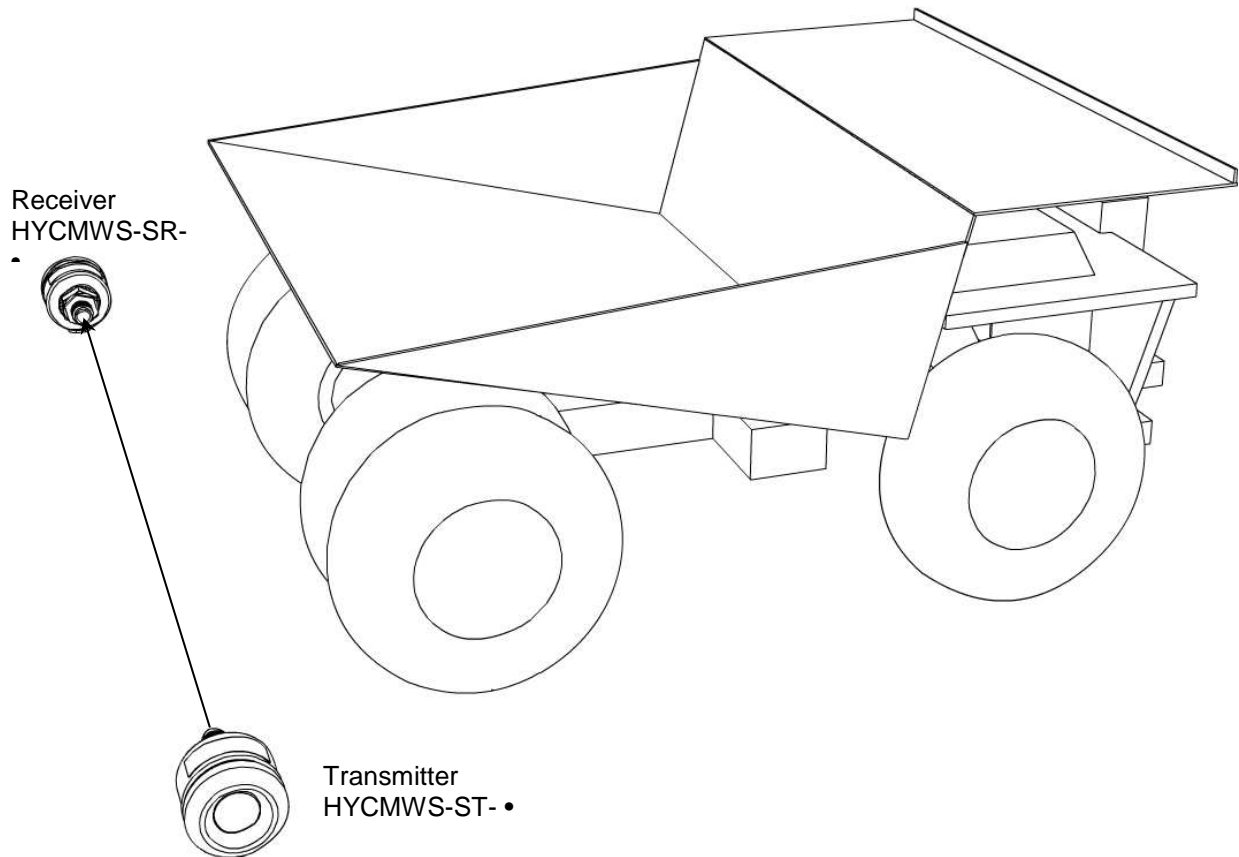


Hi/low level of liquids in tanks, and other storage vessels.

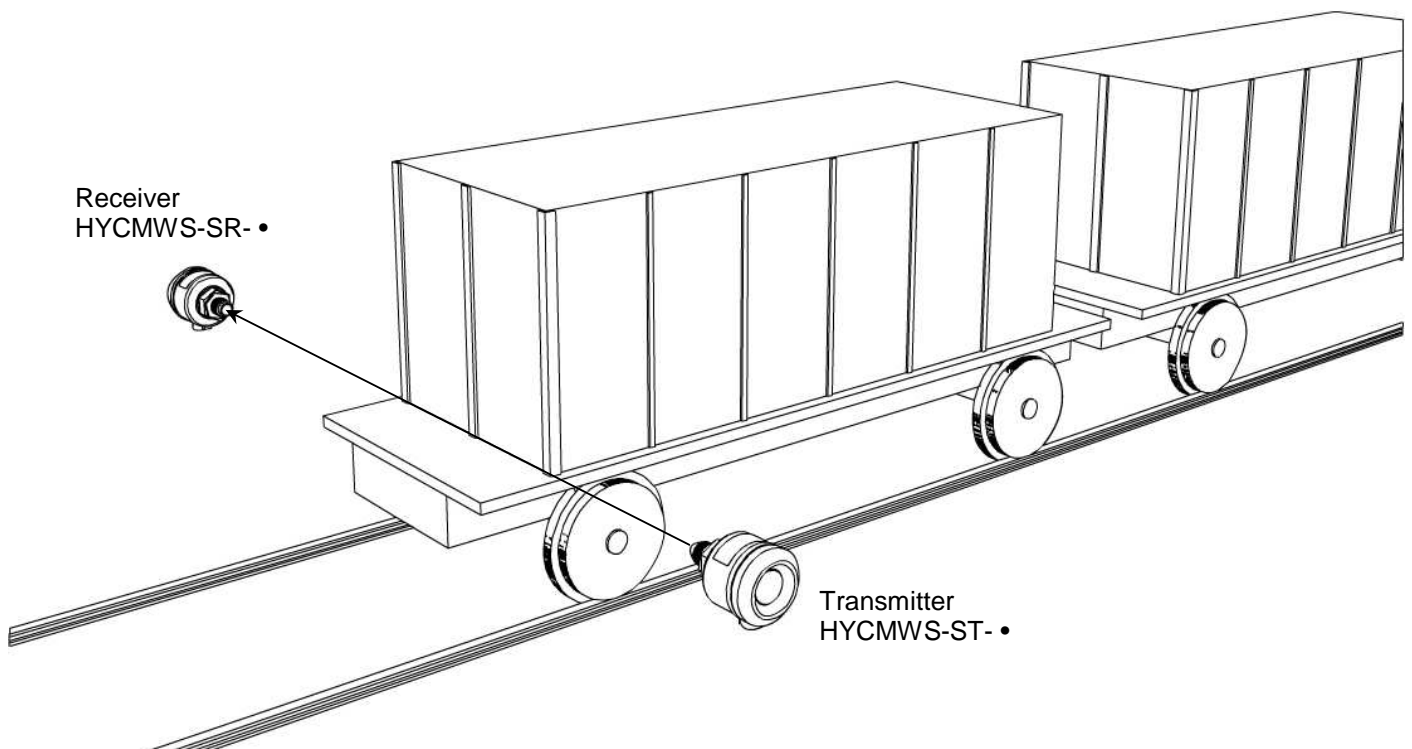


Vehicle detection & positioning

Trucks and heavy vehicles; reliable detection through heavy dust is assured.



Trains and rail cars; reliable detection under all weather conditions is assured.

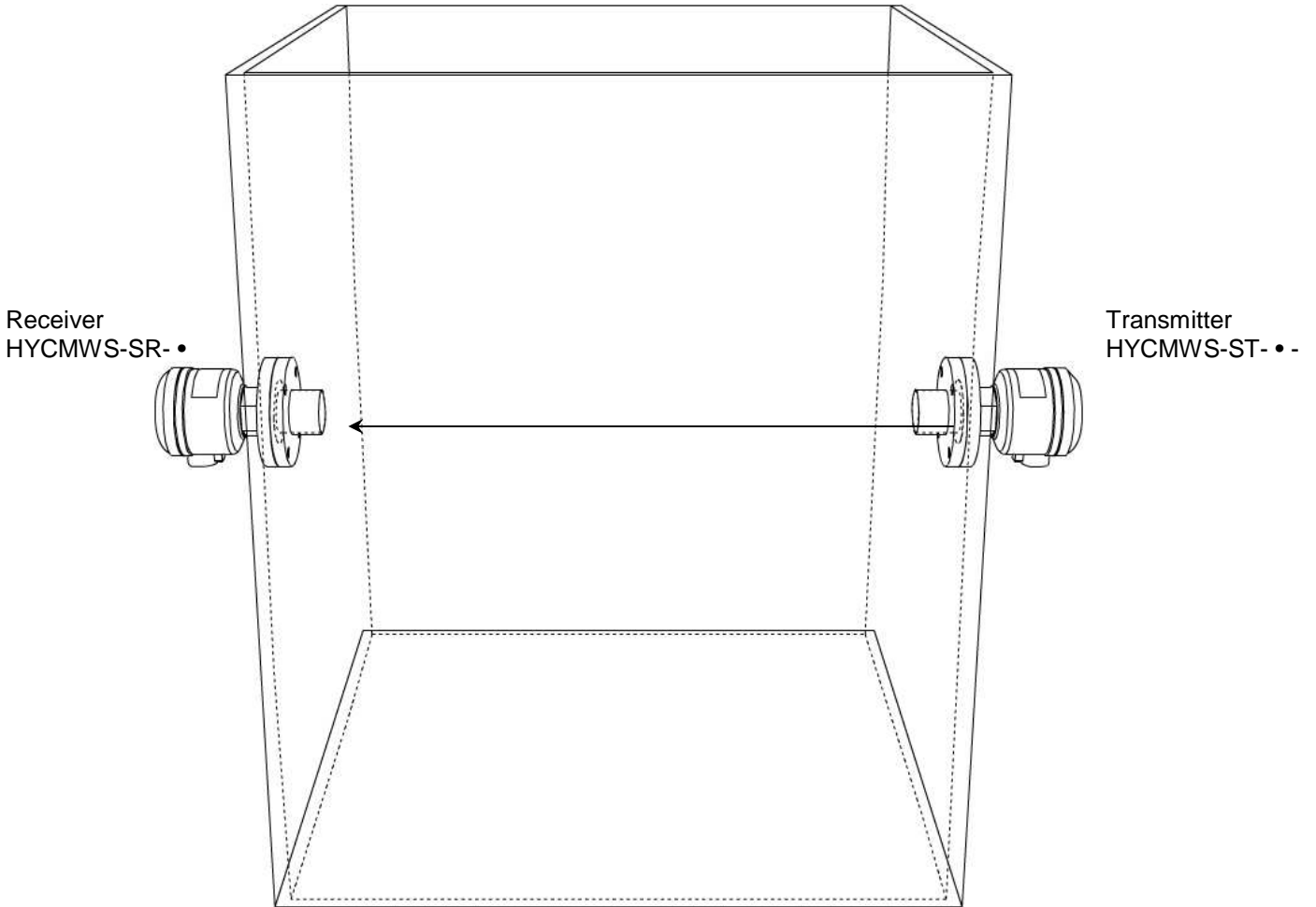


Flange Mounting Applications

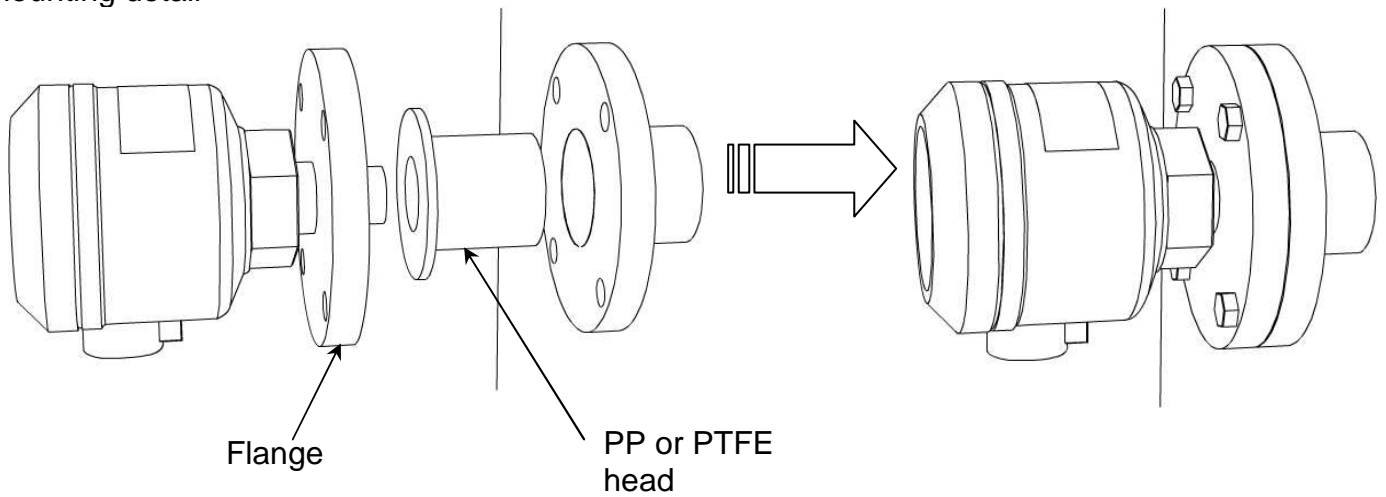
NP Type

Polypropylene (PP) or PTFE head with flange mounting.

Note: See HARDWARE OPTIONS for more details.



Mounting detail



High Vibration & Hazardous Applications

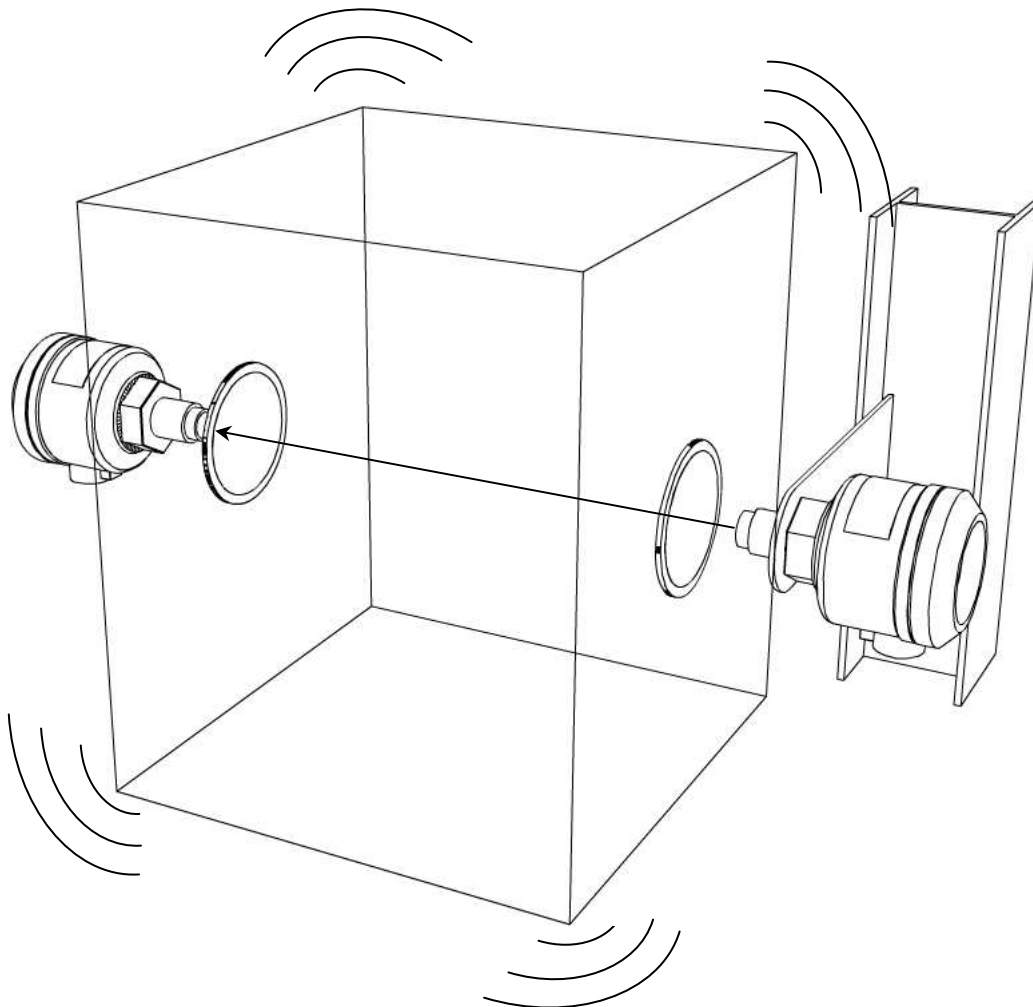
Isolated, Non-invasive Mounting

Sensors may be protected from high temperatures, hazardous materials, vibration and shock by providing detecting windows through which the microwaves can pass.

Detecting windows should be made of ceramic, glass, PTFE or PP, materials having no water content, through which there is minimal loss of microwave energy.

The detecting windows should be at least 60mm in diameter as microwaves pass more easily through larger apertures. The distance between the window and the antenna should be less than 200mm.

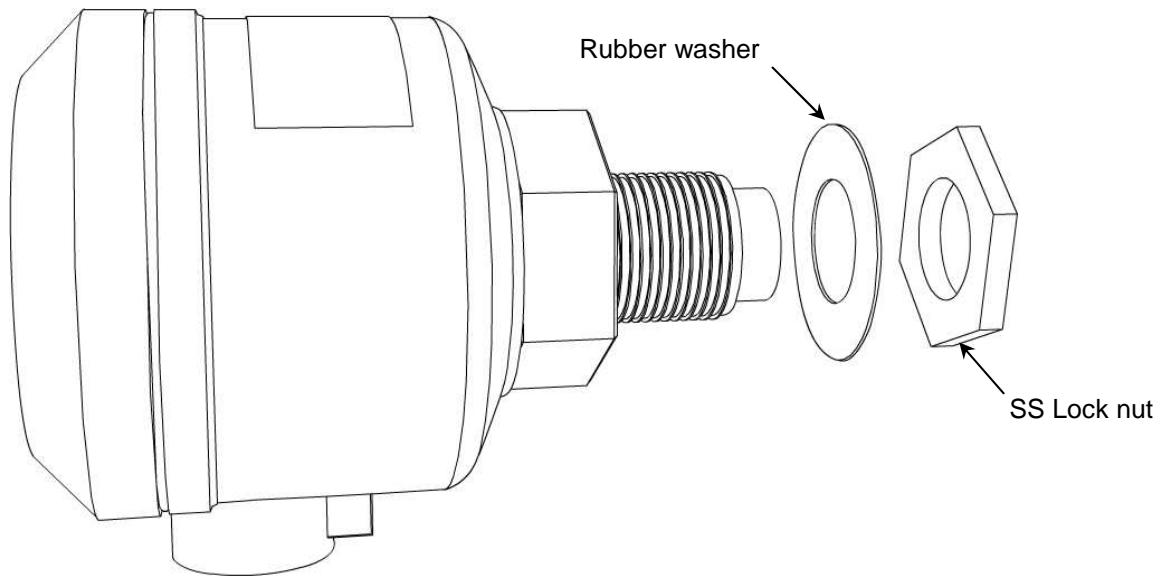
The sensors should be fixed to an isolated support structure to protect against high vibration.



HARDWARE OPTIONS

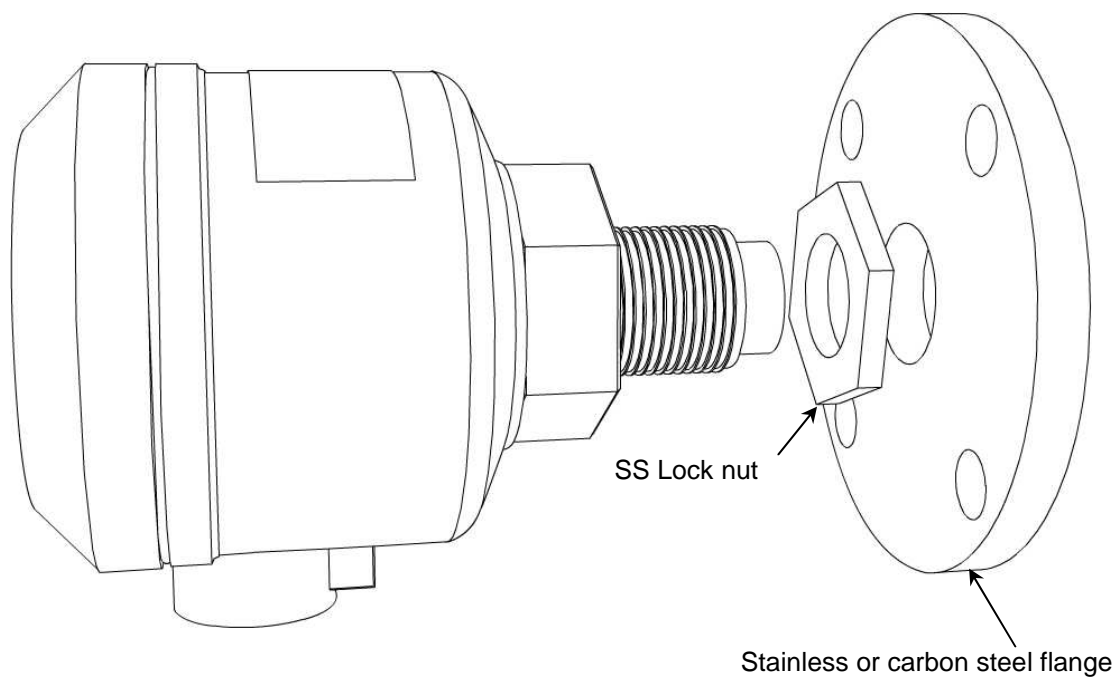
Standard: Diecast Aluminium Antenna Head with PTFE Antenna cover

The standard enclosure is suitable for most applications that do not exceed the general specifications (temperature, pressure, vibration etc).



Standard (as above) with Optional Flange Mounting

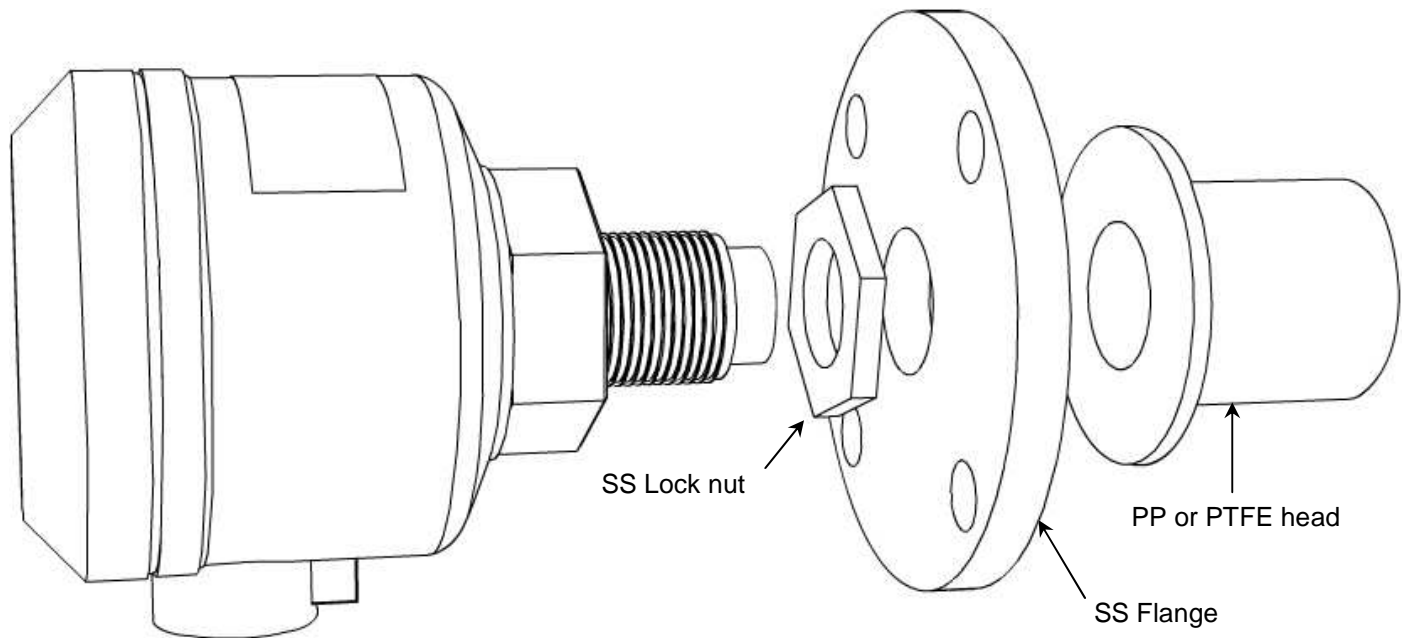
Threaded flanges are available in most standards (JIS, DIN, ANSI etc).



Optional NP Type: Polypropylene or PTFE Head with Flange

The NP type is useful for applications where the process material is conductive and tends to buildup, impairing the microwaves; the polypropylene plug should be placed into the standoff portion preventing material from entering the standoff.

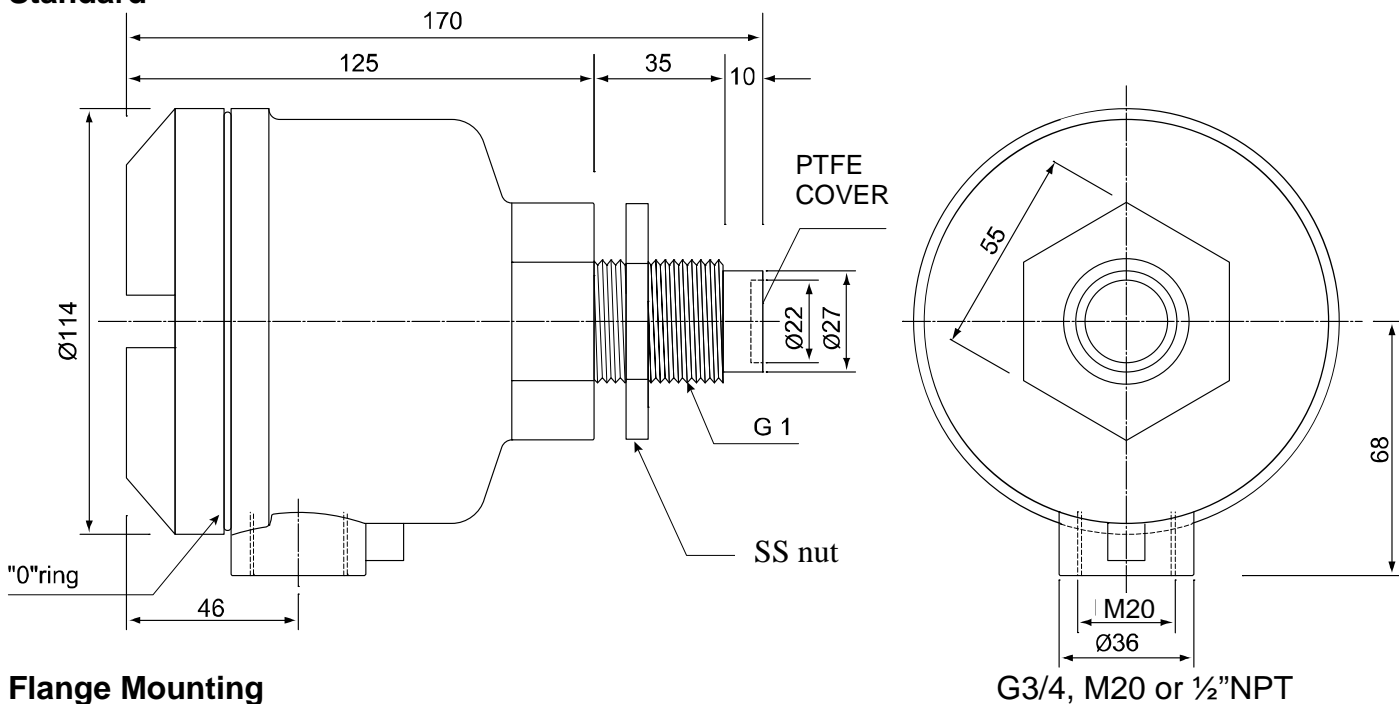
The NP type, when combined with a high pressure flange/seal, is also suitable for high pressure applications. Threaded flanges are available in most standards (JIS, DIN, ANSI etc).



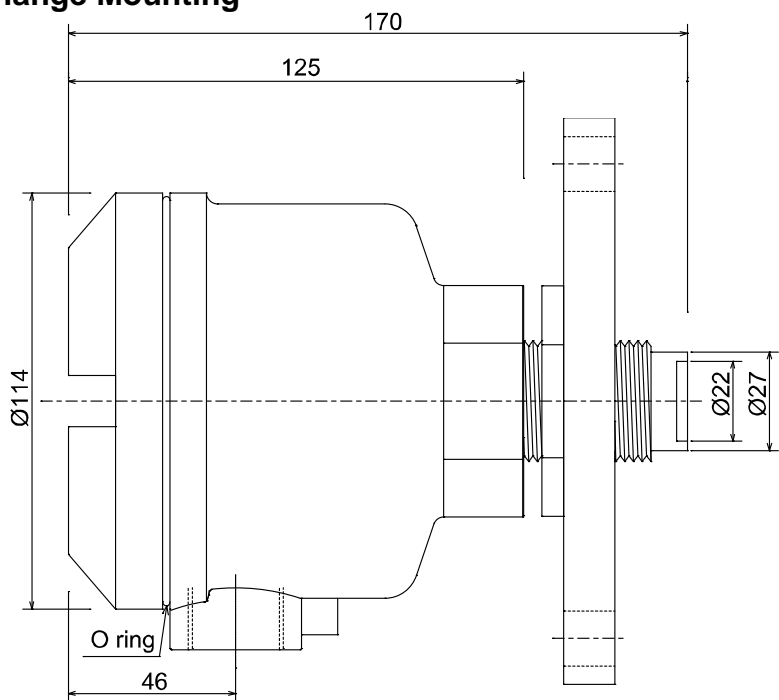
DIMENSIONS & PART NUMBERS

Note: Hardware dimensions are same for both the transmitter and receiver.

Standard

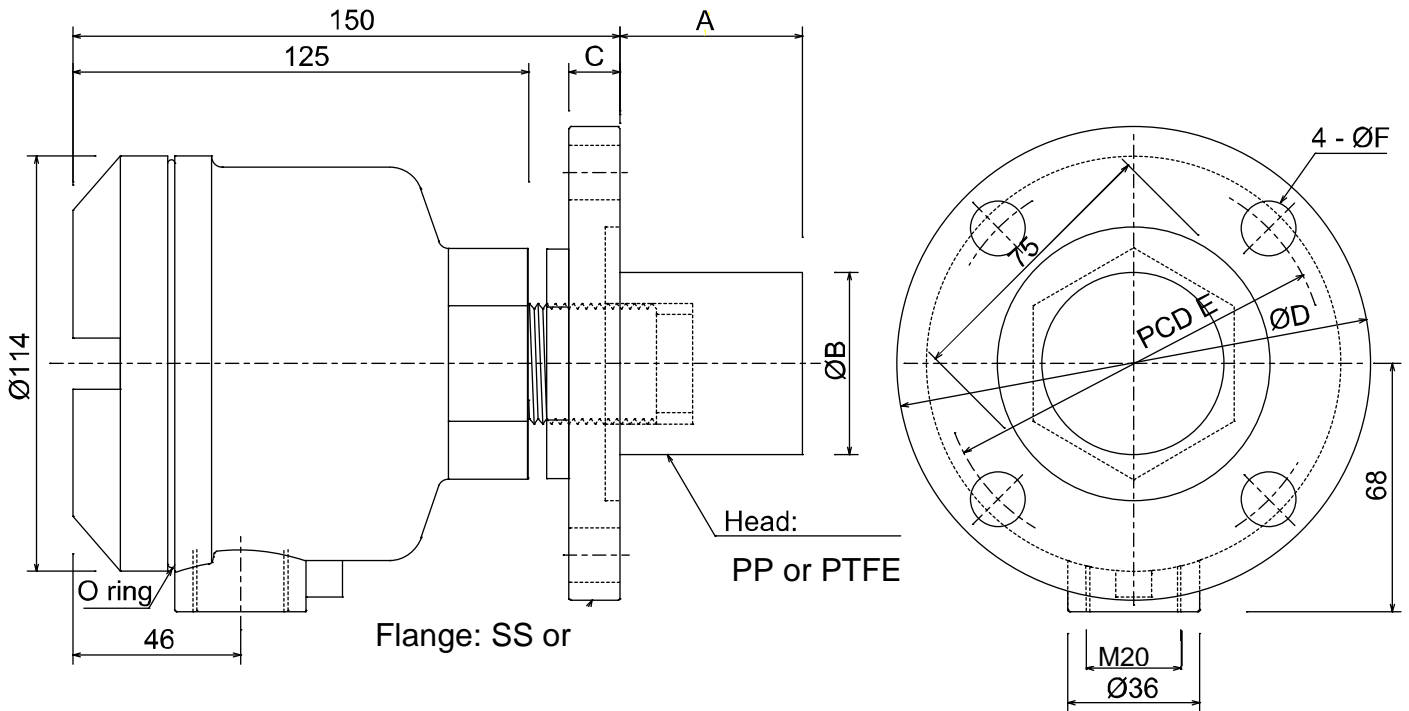


Flange Mounting



NOTE: See Page 13 for flange details

NP Type



OPTIONS

Head Length (A) 050: 50mm
 075: 75mm
 100: 100mm

Flange	B	C	D	E	F
ND50 NP6	tba	16	140	110	14
ND65 NP6	tba	16	160	130	14
ND50 NP16	tba	20	165	125	18
ND65 NP16	tba	18	185	145	18

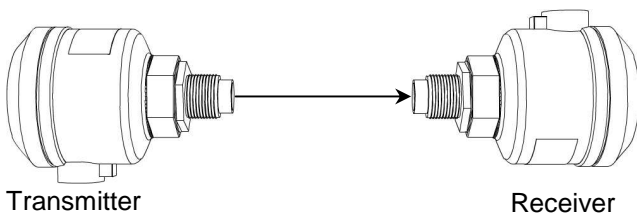
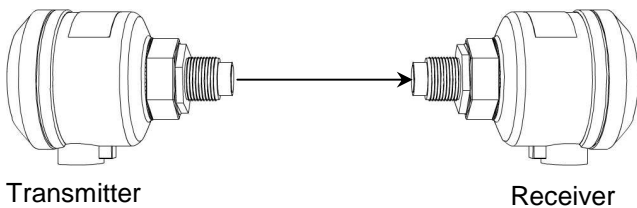
NOTE: 1. Other flanges and head lengths are available upon request.
 2. NP6 dimensions are based on cast iron tables
 3. NP16 dimensions are based on steel tables

INSTALLATION & MOUNTING

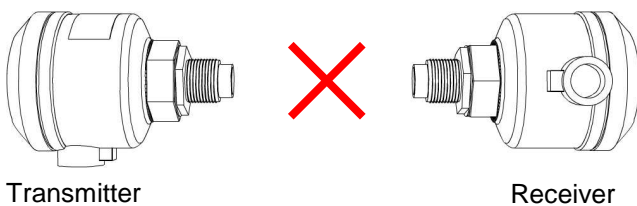
General Guidelines

Mounting angle

The transmitter emits linear polarized microwaves; as such it is necessary to align the transmitter and its corresponding receiver in the same plane. The cable entry of both the transmitter and receiver should be facing in the same direction, or be 180° opposite each other.

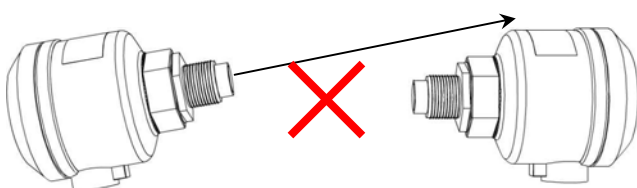


If the units are installed with the cable entries at 90° to each other they will not function.



Elevation angle

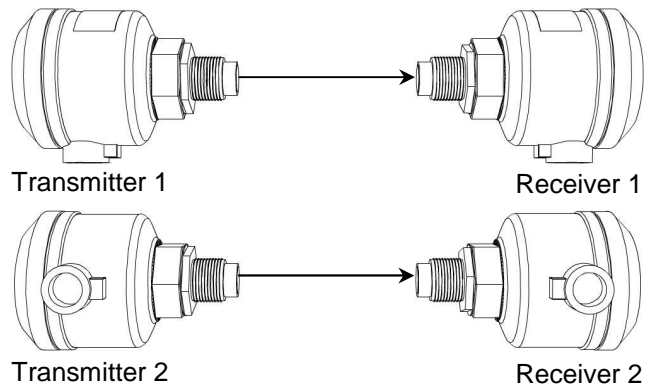
The sensors should be mounted with the antennas facing each other on the same horizontal axis.



Note that the sensors do not have to be perfectly aligned, thanks to the wide beam angle, however suitable care should be taken.

Set-to-set interference

If two transmitter receiver sets are installed in close proximity to each other, one set should be mounted at 90° to the other to eliminate set-to-set interference.



Mounting flush

It is desirable to mount the units flush so as to minimize material buildup on the antenna. This is especially important if the process material contains moisture. Microwaves are able to penetrate most surface containments; however it is recommended that you optimize the installation to gain maximum reliability.

Penetrability of walls

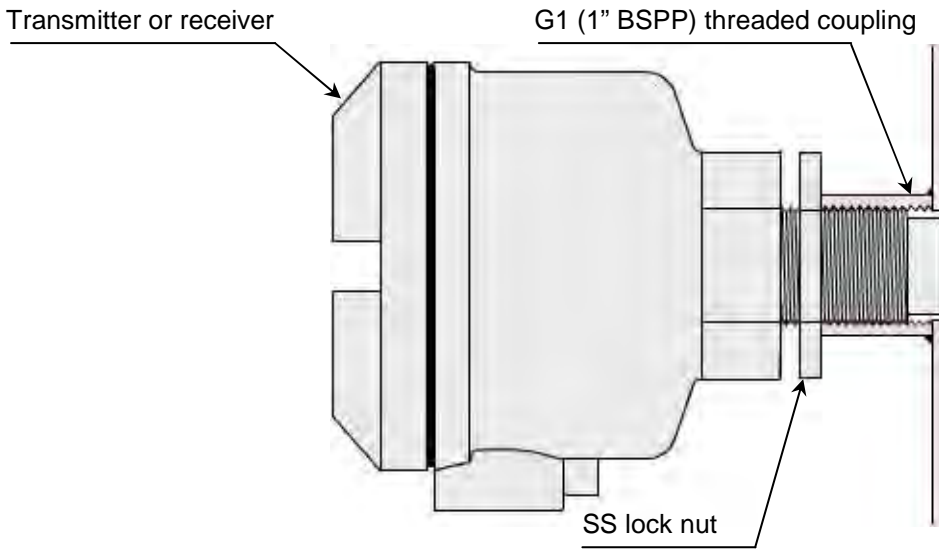
Microwaves are able to penetrate walls made from non-conductive materials such as refractory/firebrick, ceramic, plastic, glass etc. Microwaves cannot penetrate metallic or conductive wall linings: a hole must be made and a suitable process connection welded to the vessel.

Received Power Levels LED Margins

In order to reliably detect, the Received Power Level indicator needs to drop at least 3 LEDs when the beam is blocked. In other words, even a Received Power Level of 4 is acceptable, so long as it drops to 1 when the beam is blocked. If a margin of 3 LEDs cannot be obtained, contact HYCONTROL or its representative.

Mounting

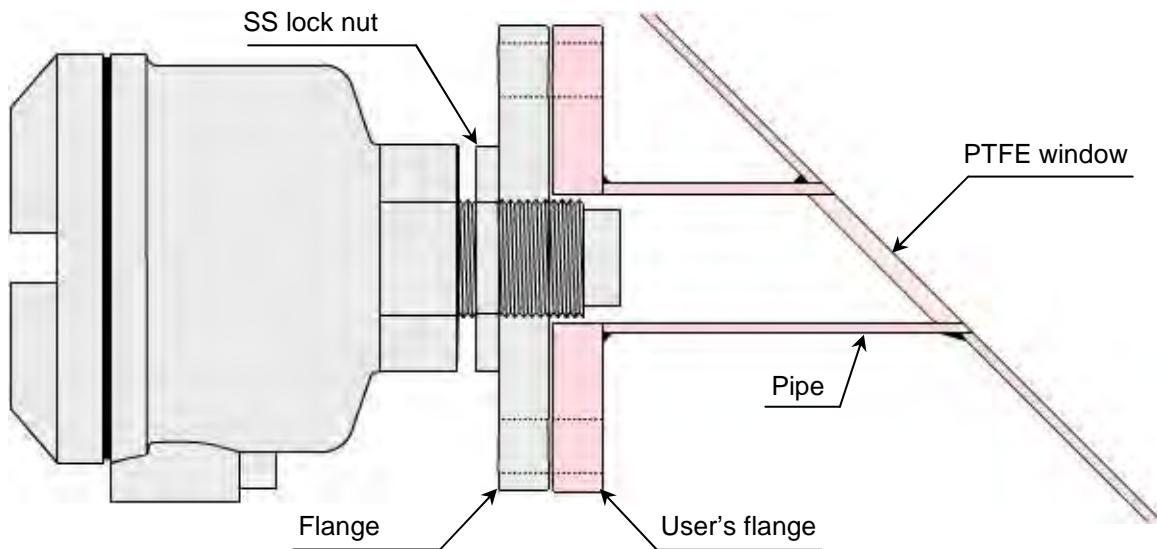
Standard Mounting



The sensor is threaded into an internal half connector welded to the wall. The sensor should be mounted flush with the inside of the vessel and the SS lock nut used to fix the sensor in position.

Apply liquid sealant into screw hole and/or any gaps.

Optional Flange Type Mounting

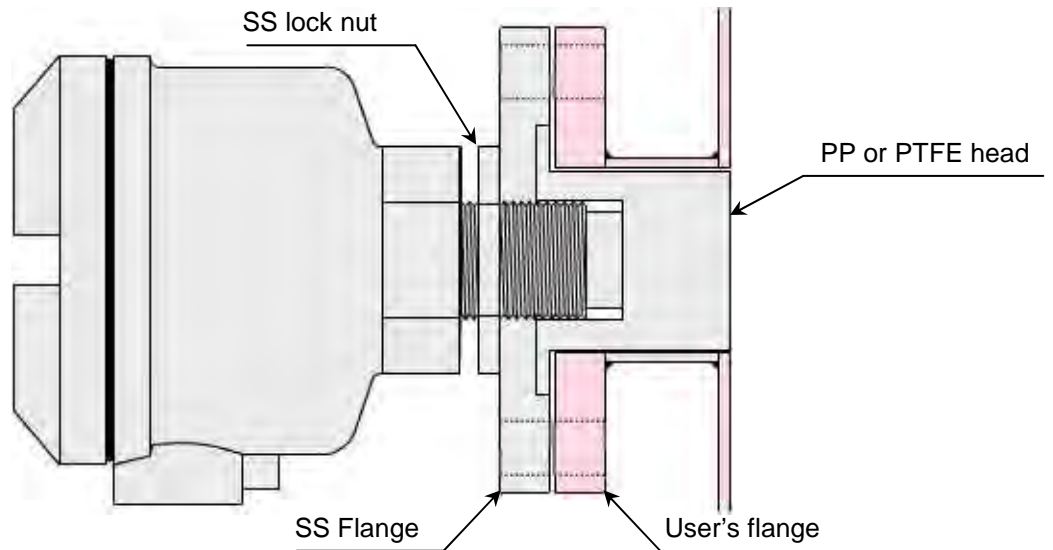


Flanges are optionally available in most standard sizes. The sensor's flange is bolted to the process connection flange supplied by the user.

Installation on sloped walls may be accomplished with a pipe and PTFE window as shown above.

*Note: The length and diameter of the pipe are critical to ensure optimal performance; **consult Hycontrol before deciding on these dimensions**, we will advise you on the most appropriate dimensions for your application.*

Optional NP Type Mounting











The head is placed in the stand-off portion of the pipe and mounted flush with the inside of the vessel.

The head is not fixed to the sensor; rather it is sandwiched between the two flanges.

Use suitable gaskets for high pressure applications.

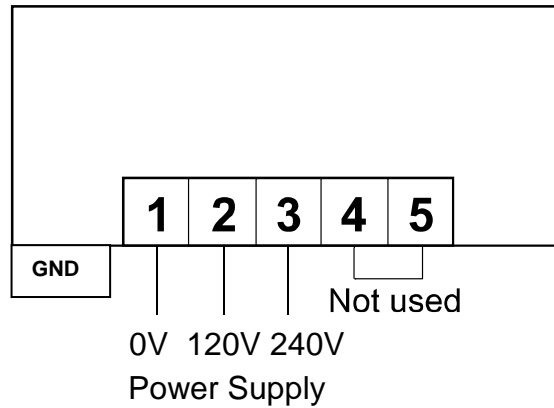
WIRING

Warning

Do not disconnect the wires connected to ground, either inside or outside the sensor. If they are disconnected it may cause electrocution or damage the circuits.	
Do not touch live terminals of the sensor as voltages may be present.	
Do not disassemble any part of the sensor's electronics.	
Turn off the power before connecting to any terminals. If this is not done electrocution or damaged circuits may result.	
To prevent electrocution, ensure that the ground terminal of the sensor is connected to ground before turning on the power.	
If there are problems with grounded wires, or if other protective functions are absent, do not turn on the power.	
Before turning on the power, confirm that the rated voltage of the controller is compatible with the voltage of the power supply.	
Ensure that the ground wire is connected to earth before connecting any other wires to the controller.	

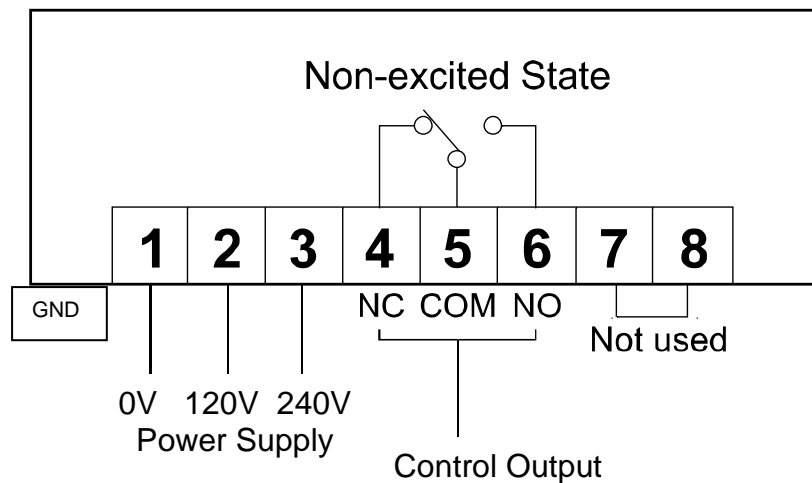
Terminal Connection

Transmitter HYCMWS-ST-2



Phase of power supply must be the same for both units

Receiver HYCMWS-SR-2

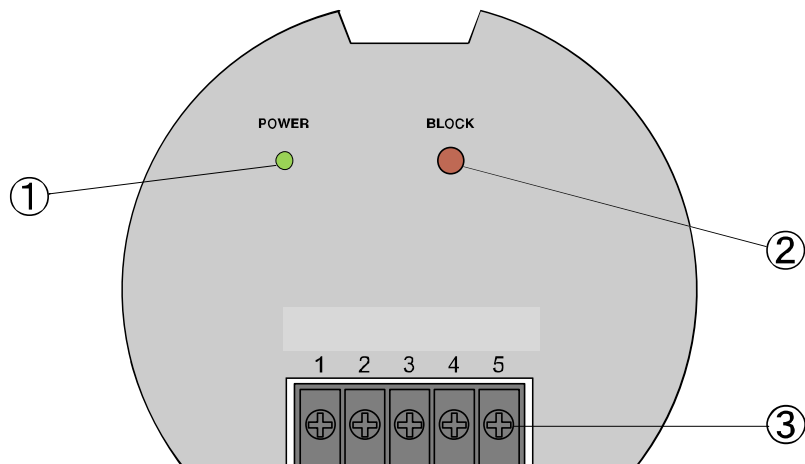


Selection of Detection Mode and Relay Configuration

Detection Mode		Beam broken BLOCK		Beam unbroken UNBLOCK	
Terminal Number		4 & 5	5 & 6	4 & 5	5 & 6
Non powered state		Closed	Open	Closed	Open
Powered state	Non-detecting state	Open	Closed	Open	Closed
	Detecting state	Closed	Open	Closed	Open

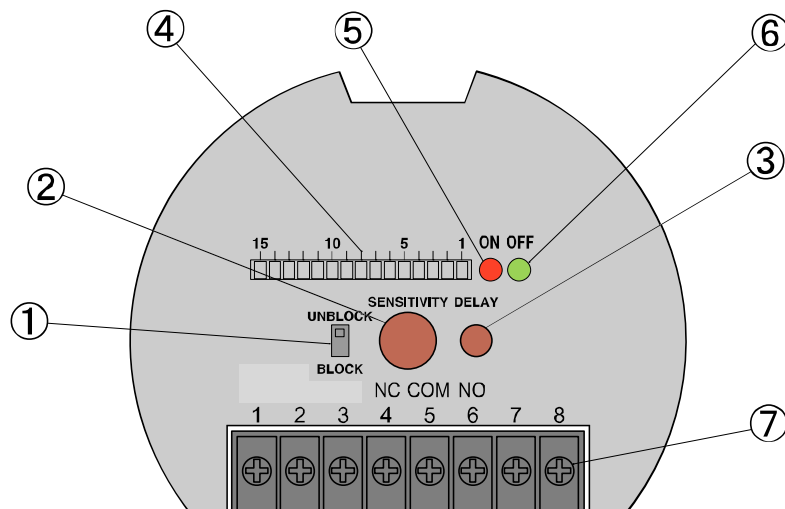
FUNCTION OF SWITCHES, INDICATORS AND RHEOSTATS

Transmitter HYCMWS-ST-2



	Part name	Description
①	Power indicator	Green when power is on
②	Block button	Blocks transmission
③	Terminals	

Receiver HYCMWS-SR-2



	Part name	Description
①	Mode selection switch	BLOCK: Outputs on broken beam UNBLOCK: Outputs on unbroken beam
②	Sensitivity rheostat	For sensitivity adjustment
③	Delay time rheostat	0.1 ~ 10sec. delay period after state changes
④	15LED indicator array	Received power level: indicated by one of 15 LEDs Sensitivity-set-point: indicated by one of 15 LEDs
⑤	Output indicator	ON (red): Illuminates on output
⑥	Output indicator	OFF (green): Illuminates on no output
⑦	Terminals	

SENSITIVITY ADJUSTMENT

Before adjusting the sensitivity:

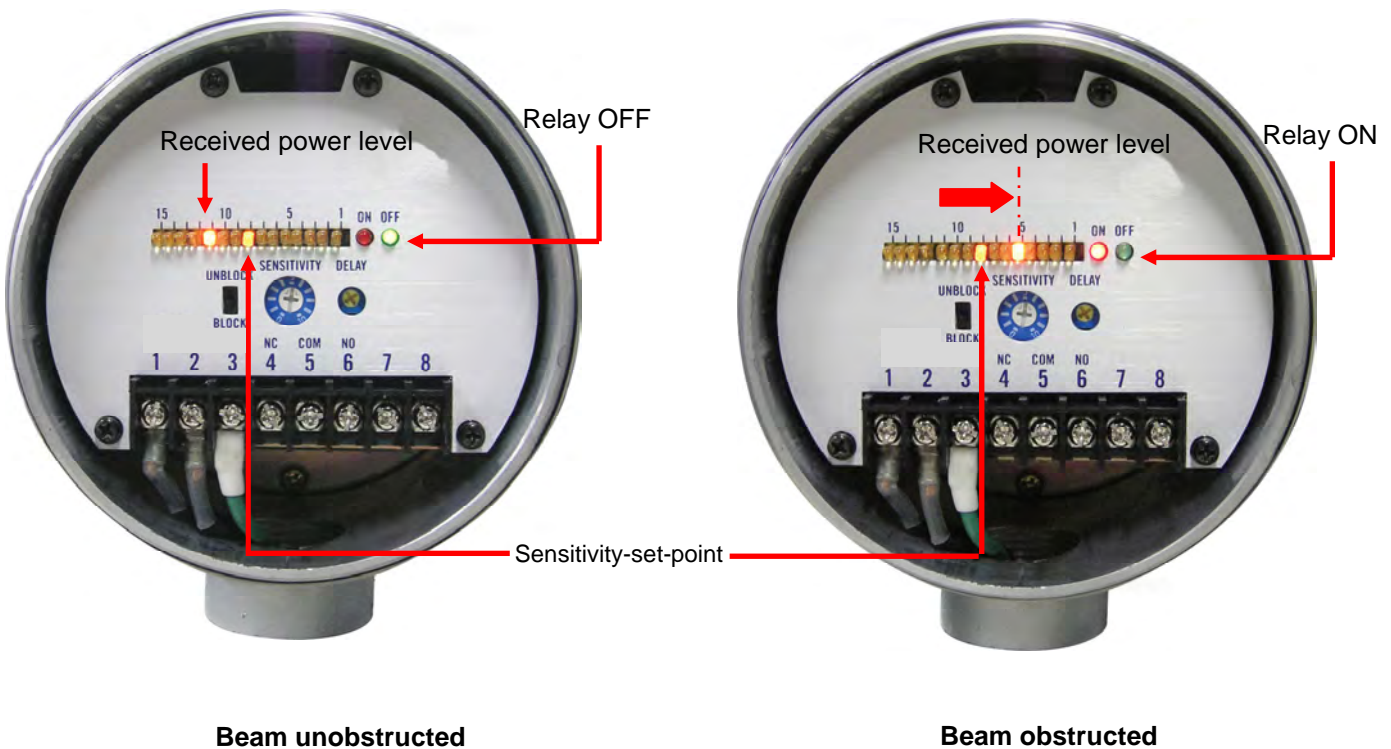
- Ensure that there is a clear line of sight between the transmitter and receiver,

Transmitter HYCMWS-ST-2

- Apply power to the unit. The green POWER indicator will illuminate.

Receiver HYCMWS-SR-2

- Apply power to the unit. Either the red ON or the green OFF indicator will illuminate.
- Set the mode selection switch to BLOCK. Turn sensitivity rheostat fully counter clockwise (minimum).
- Turn the delay time rheostat fully counter clockwise (minimum).
- The red output indicator ON will illuminate.
- The sensitivity is adjusted visually using the 15LED indicator array. The received power level and sensitivity-set-point are indicated on the receiver by the array of 15 LEDs. Turn the sensitivity rheostat clockwise until the sensitivity-set-point is located halfway between the received power level in the BEAM UNOBSTRUCTED and the BEAM OBSTRUCTED states.



- In order to reliably detect, the Received Power Level indicator needs to drop at least 3 LEDs when the beam is blocked. In other words, even a Received Power Level of 4 is acceptable, so long as it drops to 1 when the beam is blocked.
- For an application where material is introduced from above, a suitable delay time must be provided to avoid instantaneous detection of falling material.
- To use UNBLOCK output mode, switch the mode selection switch to UNBLOCK.

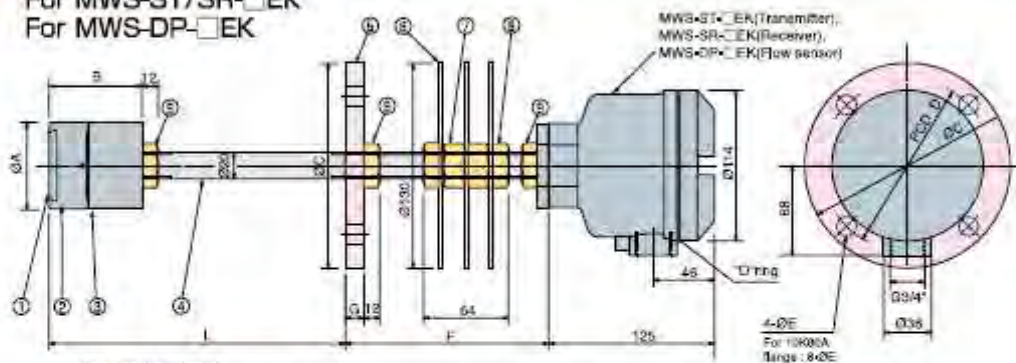
High temperature option EK ceramic sensor 600 degrees C

Specifications

Operating distance	Antenna size Ø50 : 40m, Ø65 : 90m, Ø75 : 180m
Operating ambient temperature for antenna	Ceramic : -50°C ~ +600°C Teflon : -20°C ~ +150°C
Operating ambient temperature for transmitter or receiver	-10°C ~ +55°C

Dimensions

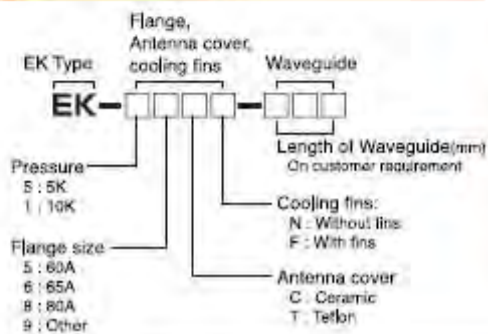
For MWS-ST/SR-□EK
For MWS-DP-□EK



Dimensions(mm)

Flange	A	B	C	D	E	F	G	L
5K50A	50	45	130	105	15	Without cooling fins: 55	14	On customer requirement
5K65A	65	70	155	130	15		14	
5K80A	75	95	180	145	19	14		
10K50A	50	45	155	120	19	With cooling fins: 145	16	
10K65A	65	70	175	140	19	18		
10K80A	75	95	185	150	19	18		

Type



Material

No.	Description	Material
1	Antenna cover	Ceramic or Teflon
2	Antenna cap	SUS304
3	Antenna	SUS304
4	Waveguide	SUS304
5	Flange	SUS304
6	Cooling fins	Al 3t
7	Nut	M20(BsBm) t=15,5
8	Nut	M20(BsBm) t=12
9	Nut	M20(SUS304) t=12

This specification may be changed without notification.